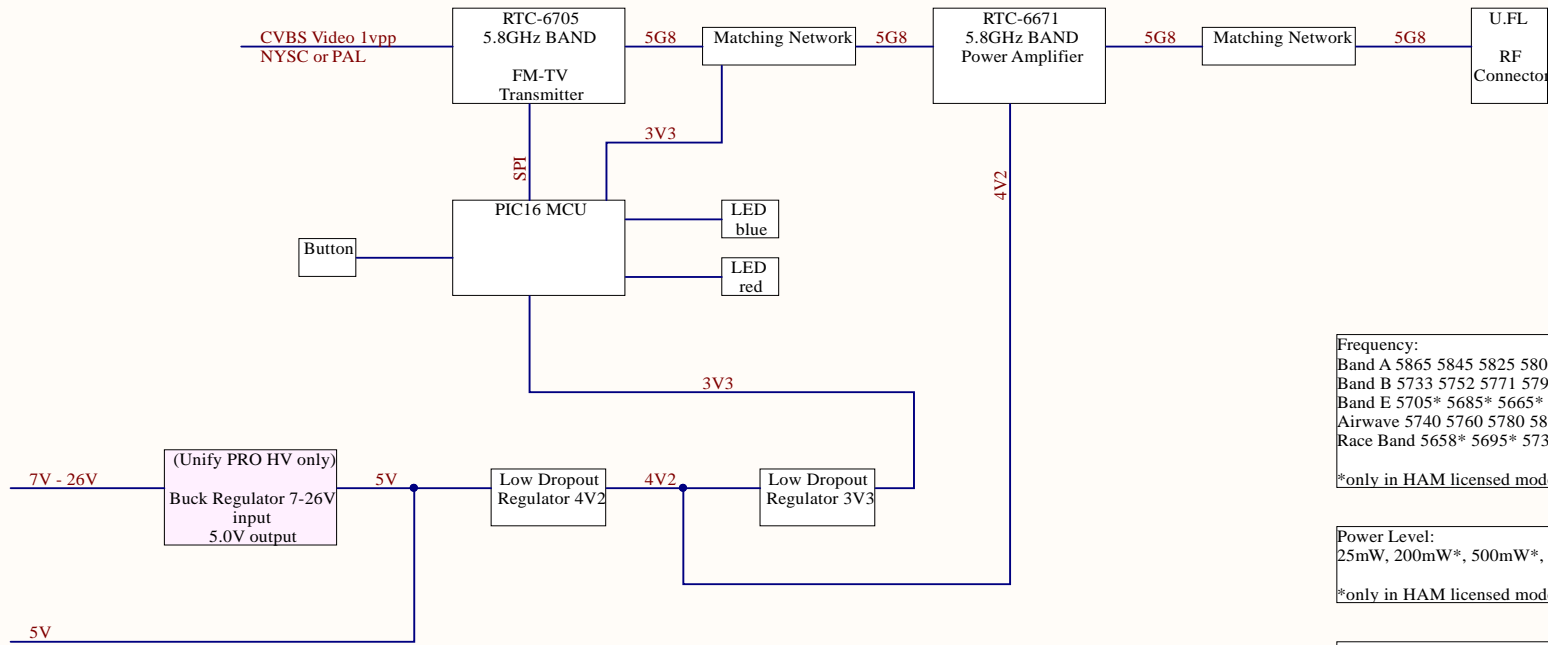


TBS Unify PRO (HV) VIDEO TRANSMITTER

General Schematic



Frequency:
 Band A 5865 5845 5825 5805 5785 5765 5745 5725* MHz
 Band B 5733 5752 5771 5790 5809 5828 5847 5866 MHz
 Band E 5705* 5685* 5665* 5645* 5885* 5905* 5925* 5945* MHz
 Airwave 5740 5760 5780 5800 5820 5840 5860 5880* MHz
 Race Band 5658* 5695* 5732* 5769 5806 5843 5880 5917* MHz
 *only in HAM licensed mode available

Power Level:
 25mW, 200mW*, 500mW*, 800mW*
 *only in HAM licensed mode available

1. Modulation Technique: FM Modulation
 2. Video Format: NTSC / PAL
 3. Channel Bandwidth: <20MHz
 4. Frequency band: 5645-5945MHz
 5. Modulation Type: F8W
 6. Output Power: 25, 200*, 500*, 800*mW
 7. Audio Carrier Frequency: 6.5MHz
 *only in HAM licensed mode available

Title		
TBS Unify PRO (HV)		
Size	Number	Revision
A4	V1.0	2001
Date:	01/06/2016	Sheet of 1
File:	C:\Users\...\\General Schematic.SchDoc	Drawn By: Christoph Dunkel